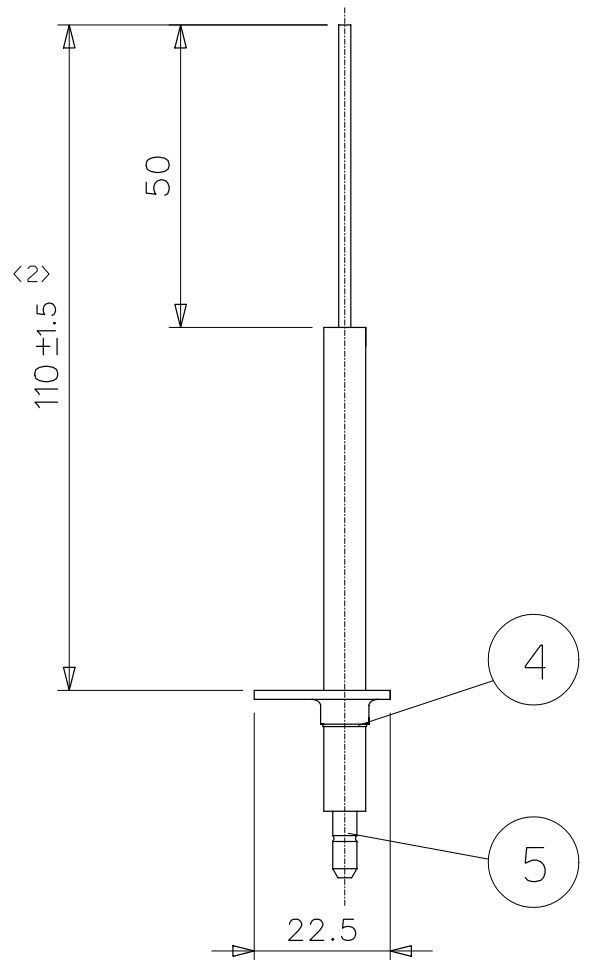
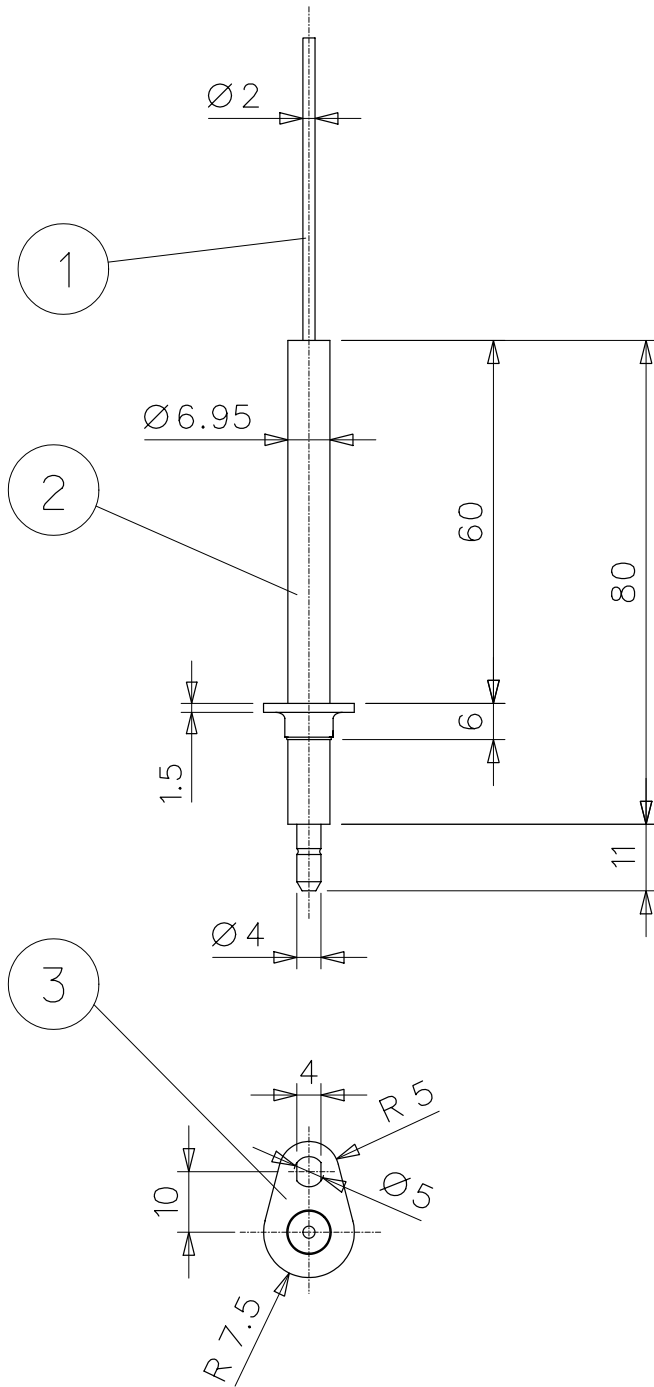


This plan belongs to Polidoro Spa and it is the expression of all secret inventions, processes of manufacture and know-how invented or developed by the said company. Therefore, according to the Italian law (art.6bis R.D.1127/39), you shall use and employ this plan only to the necessary extent in order to perform the orders received by Polidoro Spa and disclose it only to such of your employees as may be necessary to do so. Any unauthorised, different, direct or indirect use shall represent a breach.



POS.	MATERIALE	N°
1	KANTHAL D	1
2	Al ₂ O ₃ 92%-SM	1
3	Fe Zn	1
4	acciaio	1
5	Fe Ni	1

<2>	Modi .tab. da C a V +TOLL. +/-1.5	26/10/99	Cariolato	
<1>	AGGIORNATO DISEGNO	05/10/98	Fabio	
	EMISSIONE	29/08/96	Lain	
Rev.	Modifiche	data	dis.	visto
materiale		dimensione		scala: Formato
peso		note		1 : 1 A4

Quote senza tolleranza					
± 0.5	> 3	> 6	> 30	> 120	> 400
...3	...6	...30	...120	...400	...1000
—	± 0.5	± 1	± 1.5	± 2.5	± 2
Rotondita' smussi					
± 0.4	± 1	± 2	± 2	± 2	± 4
Angolo, quota del lato piu' corto					
fino a	> 10	> 50	> 120	> 400	
10	...50	...120	...400		
± 3°	± 2°	± 1°	± 0°30'	± 0°20'	
Tolleranze di forma e posizione					ISO E
ISO 2768 - v					
Cod. N°					

ELETTRODO

031.0041.00

POLIDORO S.p.A.